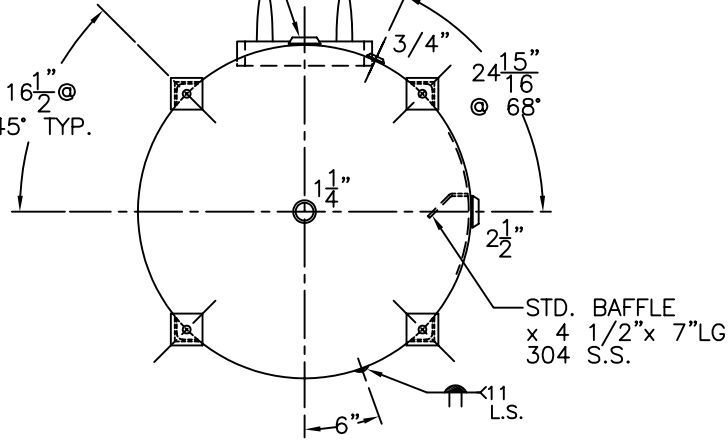
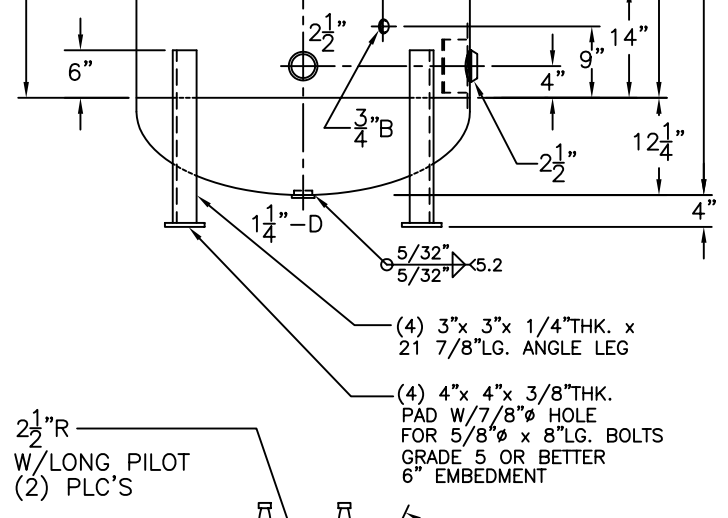


ASME SECTION	IV	2007 ADD 2008
X-RAY:	RT-NO / H.L.W.	
GALLONS:	534	WT. 1030 LBS.
SERIAL NO.		
N.B.		
M.A.W.P.	160	PSIG. @ 210 °F
SHELL / HEADS	.175" SA-414-G	
	.205" SA-455 2:1 S.E.	
	JOGGLE - .189 OFFSET	
	BROWN AND RED STRIPE	

NOTE: 1) SHIP LOOSE W/(1) 1 5/16" x 84" LG. FLEX. MAG. ANODE.  
 2) 240 PSIG. HYDRO.  
 3) 4-1-04 PROOF TEST.  
 4) CRN #5311,1789

GS-42-534-V	REV. 12-17-08
FOR: HANSON STANDARD	DATE: 5-30-90
VERT. WATER TANK	
SURFACE AREA = 94.4 SQ. FT.	
INSIDE: GLASS LINED	
OUTSIDE: PRIME	
LEG-ZONE 4-15 KM.	
BY: J.G.	SCALE: 3/4" = 12"
<b>ROY E. HANSON JR. MFG.</b>	
1600 E. WASHINGTON BLVD.	
LOS ANGELES, CA 90021	



STD. BAFFLE x 4 1/2" x 7" LG. 304 S.S.  
 11 L.S.